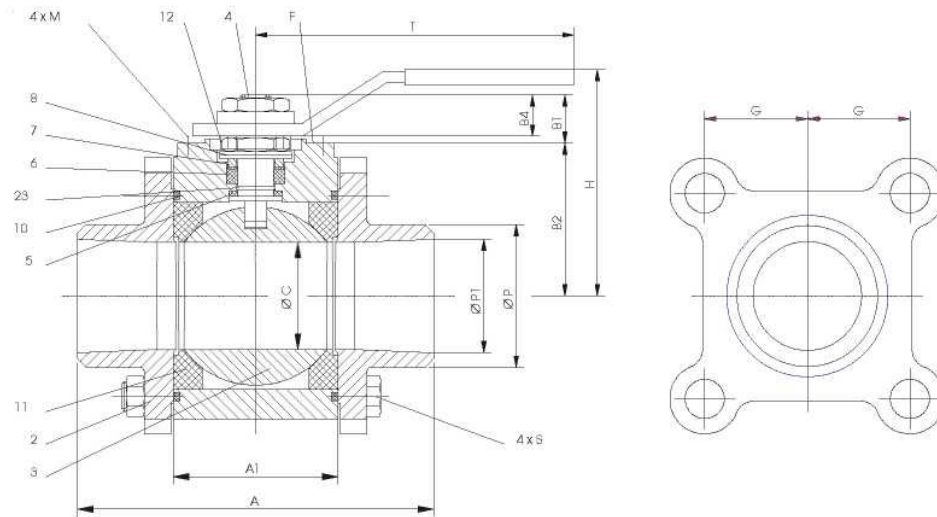
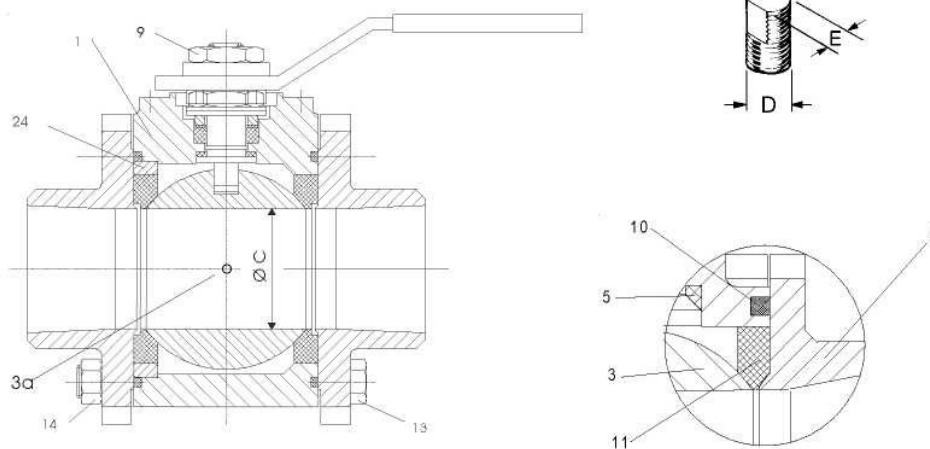


## DN10 - DN 40



## DN 50



### Pressure release bore 3a

Ball Item 3 with pressure release bore has to be ordered separately.  
Assembling the pressure release ball pay attention to place the relief bore on upstream side, in accordance with the flow direction indication arrow on the body.

### Mode of action of the pressure relief bore

When the ball valve is in the closed position, the inner room of the ball is connected with the piping through the pressure relief bore; this ensures a pressure compensation.  
When ordering a ball valve with pressure relief bore, the flow direction indicating arrow on the body points to the pressure relief bore when the ball is in the closed position.